

Seashore



POOL BREAKDOWN



1.37 550
COSTA DEL SOL 18' ROUND 54"
RESIN TOP RAIL - STEEL VERTICAL

= 7st

✓	QTY	CARTON NUMBER	CARTON DESCRIPTION
	1	5-9918-758	ASSEMBLY PACK CARTON
	1	5-9818-734	TOP RAIL PACK CARTON
	1	5-9712-723	VERTICAL PACK CARTON
	1	5-XXXX-018	SIDEWALL CARTON
	1	5-9112-734	SKIRT PACK CARTON
	1	5-9999-1112	TOP CONNECTOR PACK

ving 5-0527-018



CARTON BREAKDOWN

✓	ITEM	QTY	PART NUMBER	DESCRIPTION
TOP RAIL PACK # 5-9818-734				
	1	12	587-1760	Top Rail

SKIRT PACK # 5-9112-734				
	2	12	340-2735	Vertical skirt
	3	24	330-1023	Hex washer head screw #8 x 5/8"
	4	24	330-1127	Sheet metal screw, #10 x 1/2"

ASSEMBLY PACK # 5-9918-758				
	5	9	583-1011	Stabilizer Rail (Large)
	6	9	583-1012	Stabilizer Rail (Small)
	7	24	580-2299	Vertical End Cap
	8	12	580-2128	Outer connector bracket
	10	30	545-1001	Plastic coping
	11	12	589-1256	Bottom rail - stamped 18 C
	16	108	330-1127	Sheet metal screw, #10 x 1/2"
	17	12	510-1038	Machine screw #6-32 x 1/2"
	18	12	321-1088	Hex nut #6-32
	—	1	573-4755	Pool Parts List
	—	1	573-3645	Installation Instructions
	—	1	---	Warranty Card
	—	1	573-3169	"Safety First" Booklet

TOP CONNECTOR PACK # 5-9999-1112				
	9	12	340-2734	Top connector

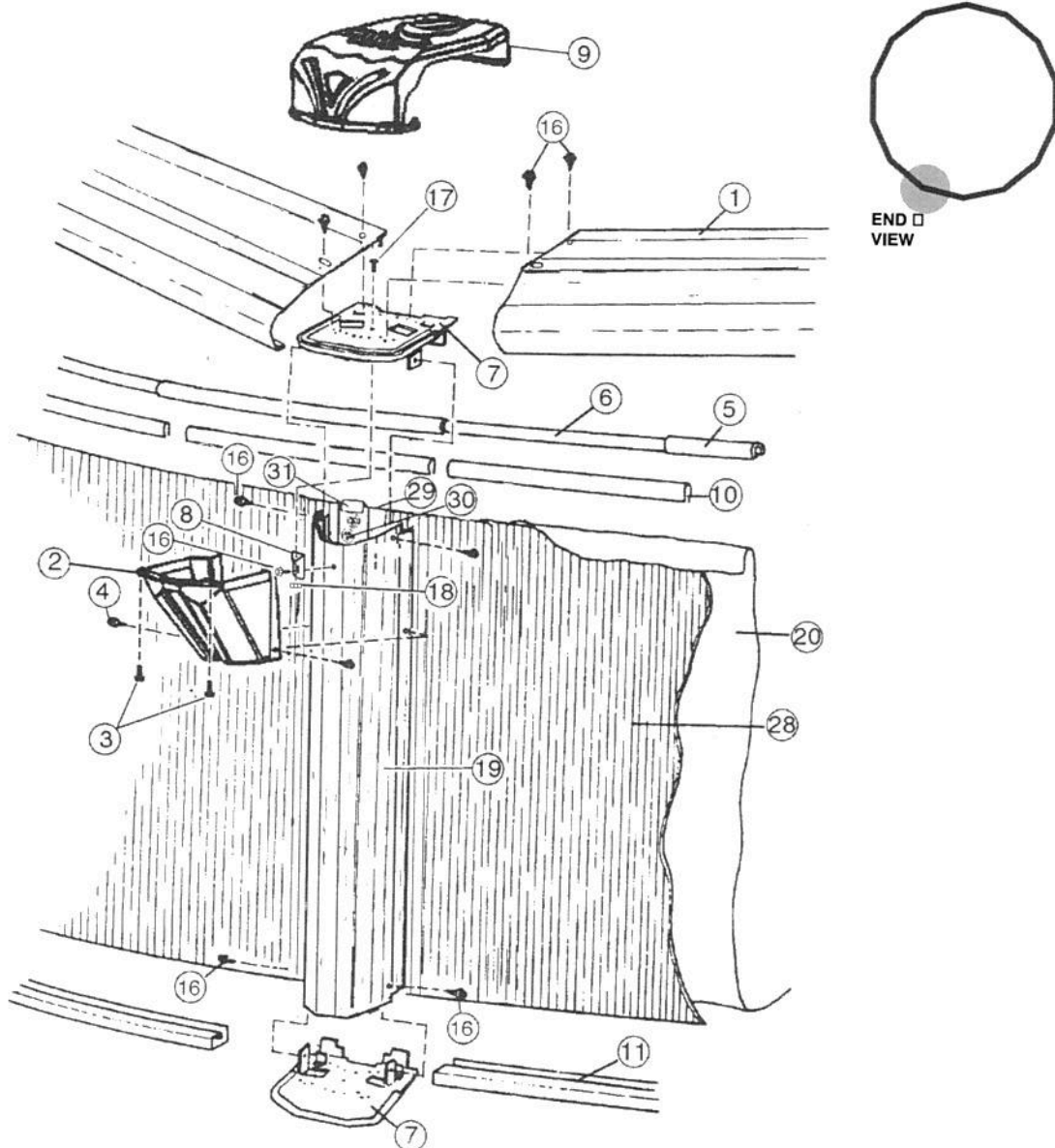
VERTICAL PACK # 5-9712-723				
	19	12	580-2347	Vertical

SIDEWALL CARTON				
	28	1	5-XXXX-018	Sidewall
	29	27	330-1280	1/4-20 x 1/2" Grade 5 Bolt
	30	27	321-1029	1/4-20 Hex Flange Locknut
	31	1	535-1442	Protective Strip
	—	1	560-1055	Warning Sign
	—	1	573-3169	"Safety First" Booklet
	—	1	573-3498	Safety DVD

WRITE SIDEWALL NUMBER HERE _____

WRITE SIDEWALL BOX SERIAL NUMBER HERE _____

EXPLODED PARTS VIEW



Important! Above-ground pools are designed for swimming and wading only. Do not Dive or Jump! Misuse of your pool may result in crippling injury and/or other dangers to life and health. Do not use slides, diving boards, or any other platform or object which can be used for improper pool entry. Use only an above-ground swimming pool ladder or entry system to enter or exit your pool. Never attempt to swim or reach behind ladders or any other pool entry system. It is the pool owner's responsibility to secure the pool against unauthorized, unsupervised or unintentional entry. It is also the pool owner's responsibility to warn all pool users of the hazards of diving into shallow water: paralyzing injury may result. Always obey all safety rules. Remember, pool safety is everybody's responsibility.

Safety decals and caution information provided with your pool have been endorsed by the U.S. Consumer Product Safety Commission. It is mandatory that the pool owner and installer follow the installation and use directions for all provided safety signs and decals. Juveniles must be supervised at all times by a responsible adult as directed by the USCPSC.

Change of Design: The manufacturer (HII) expressly reserves the right to change or modify the design and construction of any product in due course of their manufacturing procedures, without incurring any obligation to furnish or install such changes or modifications on products previously or subsequently sold.