

1.32 Pacific Coast



POOL BREAKDOWN



SUN COAST 12' ROUND 52"
STEEL TOP RAIL - STEEL VERTICAL

3.60 = 0

4.60 = 1

✓	QTY	CARTON NUMBER	CARTON DESCRIPTION
	1	5-9912-103	ASSEMBLY PACK CARTON
	1	5-9801-611	TOP RAIL PACK CARTON
	1	5-9710-104	VERTICAL PACK CARTON
	1	5- 88 XX-012 (0619)	SIDEWALL CARTON
	1	5-9999-2010	TOP CONNECTOR PACK
	1	5-9110-103	SKIRT PACK CARTON

5-9915-11
5-9810-61
→ same
5-0619-01
→ same
→ same



CARTON BREAKDOWN

✓	ITEM	QTY	PART NUMBER	DESCRIPTION
ASSEMBLY PACK # 5-9915-103				
	1	21	545-1001	Plastic coping
	2	10	580-2379	Vertical end cap
	3	6	583-1011	Stabilizer Rail (Large)
	4	6	583-1012	Stabilizer Rail (Small)
	5	10	589-1133	Bottom rail
	6	10	580-1344	Bottom connector
	8	90	330-1127	Sheet metal screw, #10 x 1/2"
	14	10	510-1036	#10 x 1/2" Phillips Pan HD screw
	—	1	573-4741	Pool Parts List
	—	1	573-3697	Installation Instructions
	—	1	---	Warranty Card
	—	1	573-3169	"Safety First" Booklet

TOP RAIL PACK # 5-9801-611				
	18	10	587-1573	Top Rail

VERTICAL PACK # 5-9710-104				
	19	10	580-2280	Vertical

TOP CONNECTOR PACK # 5-9999-2010				
	7	10	340-2789	Top connector

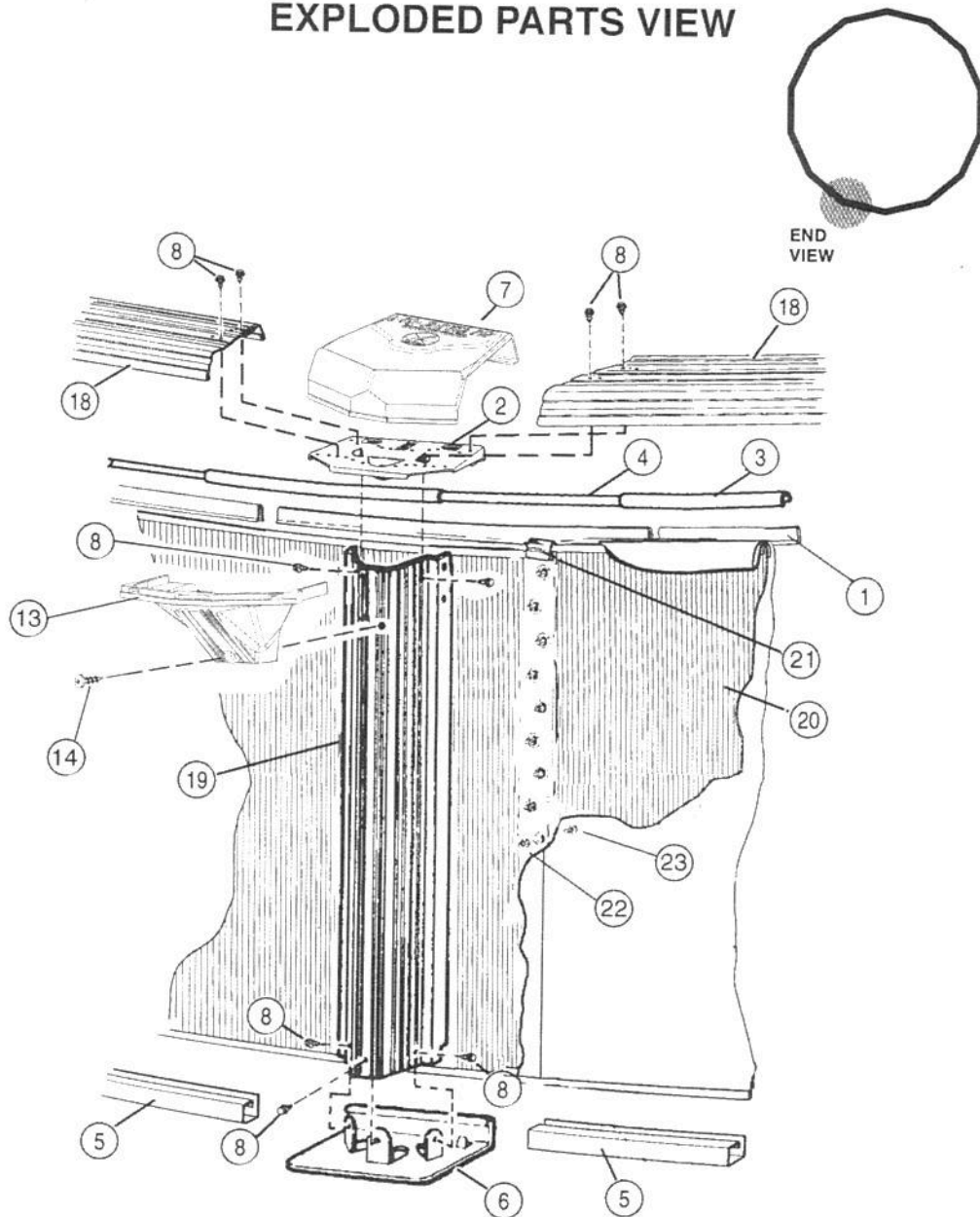
SKIRT PACK # 5-9110-103				
	13	10	340-2790	Vertical skirt

SIDEWALL CARTON				
	20	1	5-XXXX-012	Sidewall
	21	1	535-1442	Protective Strip
	22	26	321-1029	1/4-20 Hex Flange Locknut
	23	26	330-1280	1/4-20 x 1/2" Grade 5 Bolt
	—	1	560-1055	Warning Sign
	—	1	573-3169	"Safety First" Booklet
	—	1	573-3498	Safety DVD

WRITE SIDEWALL NUMBER HERE _____

WRITE SIDEWALL BOX SERIAL NUMBER HERE _____

EXPLODED PARTS VIEW



Important! Above-ground pools are designed for swimming and wading only. Do not Dive or Jump! Misuse of your pool may result in crippling injury and/or other dangers to life and health. Do not use slides, diving boards, or any other platform or object which can be used for improper pool entry. Use only an above-ground swimming pool ladder or entry system to enter or exit your pool. Never attempt to swim or reach behind ladders or any other pool entry system. It is the pool owner's responsibility to secure the pool against unauthorized, unsupervised or unintentional entry. It is also the pool owner's responsibility to warn all pool users of the hazards of diving into shallow water: paralyzing injury may result. Always obey all safety rules. Remember, pool safety is everybody's responsibility.

Safety decals and caution information provided with your pool have been endorsed by the U.S. Consumer Product Safety Commission. It is mandatory that the pool owner and installer follow the installation and use directions for all provided safety signs and decals. Juveniles must be supervised at all times by a responsible adult as directed by the USCPSC.

Change of Design: The manufacturer (HII) expressly reserves the right to change or modify the design and construction of any product in due course of their manufacturing procedures, without incurring any obligation to furnish or install such changes or modifications on products previously or subsequently sold.