



# POOL BREAKDOWN



## COSTA DEL SOL 24' x 12' OVAL 54" RESIN TOP RAIL - STEEL VERTICAL

✓	QTY	CARTON NUMBER	CARTON DESCRIPTION
	1	5-9942-758	ASSEMBLY PACK CARTON
	1	5-9803-712	TOP RAIL PACK CARTON
	1	5-9804-712	TOP RAIL PACK CARTON
	1	5-9710-723	VERTICAL PACK CARTON
	1	5-XXXX-042	SIDEWALL CARTON
	1	5-9999-1116	TOP CONNECTOR PACK
	1	5-2206-907	SIDE SUPPORT CARTON
	1	5-8888-206	SUPPORT BASE CARTON
	1	5-9110-734	SKIRT PACK CARTON
	1	5-8801-600	SIDE VERTICAL EXT. CARTON

## CARTON BREAKDOWN

✓	ITEM	QTY	PART NUMBER	DESCRIPTION
TOP RAIL PACK # 5-9803-712				
	1	12	587-1626	Top Rail
TOP RAIL PACK # 5-9804-712				
	12	4	587-1627	Top Rail

# CARTON BREAKDOWN

✓	ITEM	QTY	PART NUMBER	DESCRIPTION
<b>TOP CONNECTOR PACK # 5-9999-1116</b>				
	9	16	340-2734	Top connector

<b>SKIRT PACK # 5-9110-734</b>				
	2	10	340-2735	Vertical skirt
	3	20	330-1023	Hex washer head screw #8 x 5/8"
	4	20	330-1127	Sheet metal screw, #10 x 1/2"

<b>ASSEMBLY PACK # 5-9942-758</b>				
	5	12	583-1011	Stabilizer Rail (Large)
	6	8	583-1012	Stabilizer Rail (Small)
	7	20	580-2299	Vertical End Cap
	7a	6	580-2056	Side vertical end cap
	8	16	580-2128	Outer connector bracket
	10	33	545-1001	Plastic coping
	11	12	589-1046	Bottom rail - stamped 12
	11b	4	589-1052	Bottom rail - side - stamped S
	16	156	330-1127	Sheet metal screw, #10 x 1/2"
	17	10	510-1038	Machine screw #6-32 x 1/2"
	18	10	321-1088	Hex nut #6-32
	18a	6	510-1008	Slotted pan head machine screw #10-24 - 1/2"
	18b	6	321-1025	Square nut #10-24
	-	1	573-4767	Pool Parts List
	-	1	573-4036	Installation Instructions
	-	1	----	Warranty Card
	-	1	573-3169	"Safety First" Booklet

<b>VERTICAL PACK # 5-9710-723</b>				
	19	10	580-2347	Vertical

<b>SIDEWALL CARTON</b>				
	28	1	5-XXXX-042	Sidewall
	29	27	330-1280	1/4-20 x 1/2" Grade 5 Bolt
	30	27	321-1029	1/4-20 Hex Flange Locknut
	31	1	535-1442	Protective Strip
	-	1	560-1055	Warning Sign
	-	1	573-3169	"Safety First" Booklet
	-	1	573-3498	Safety DVD

WRITE SIDEWALL NUMBER HERE \_\_\_\_\_

WRITE SIDEWALL BOX SERIAL NUMBER HERE \_\_\_\_\_



**SUPPORT BASE PACK # 5-8888-206**

34	6	580-1779	Skid support
35	6	580-2071	Ground support - top
36	6	580-2072	Ground support - bottom
37	6	580-1869	Pressure pad
38	6	580-1870	Pressure pad
39	6	580-1792	Btm rail locator & cover
40	36	510-1035	#12x3/4" hex washer head screw
41	24	330-1220	3/8"-16 x 3-1/2" hex head bolt
42	24	321-1069	3/8-16 hex nut
43	24	510-1018	1/4-20 x 1/2" hex head bolt - grade 5
44	24	511-1000	1/4-20 hex nut
45	36	330-1127	Sheet metal screw, #10 x 1/2"

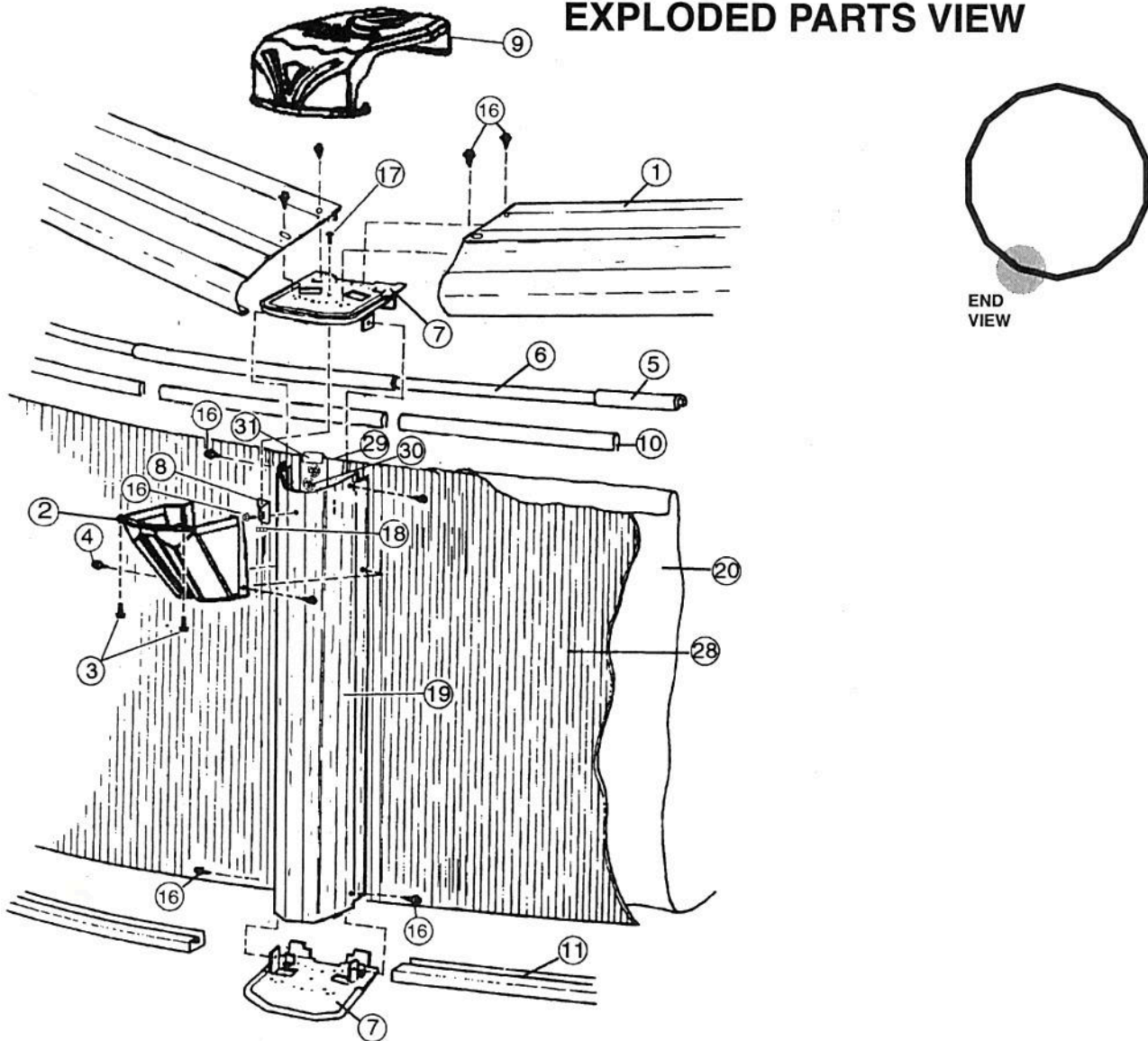
**SIDE SUPPORT PACK # 5-2206-907**

46	6	580-2138	Side support
----	---	----------	--------------

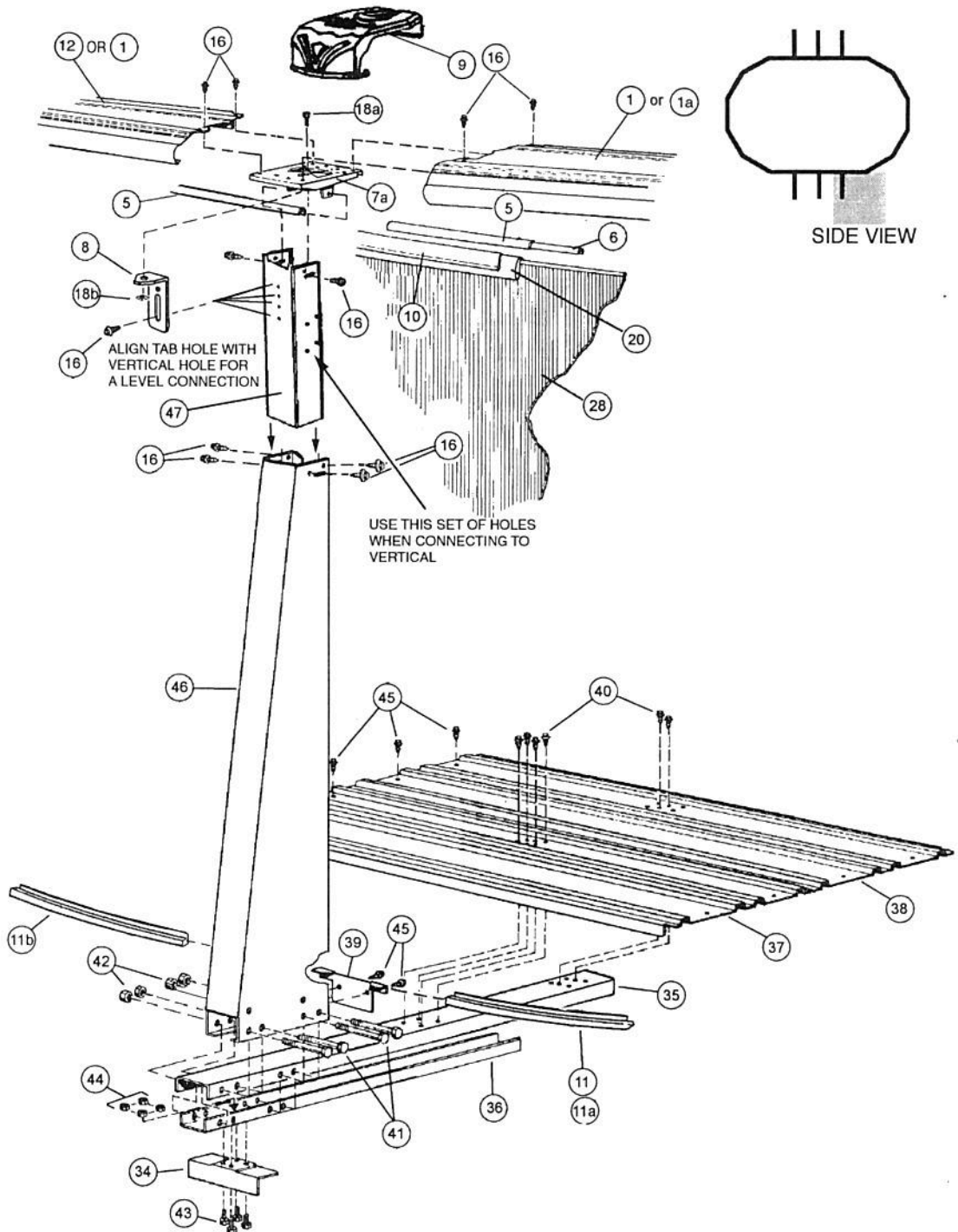
**SIDE VERTICAL EXT. PACK # 5-8801-600**

47	6	580-2270	Side vertical extension
----	---	----------	-------------------------

**EXPLODED PARTS VIEW**



# EXPLODED PARTS VIEW



**Important!** Above-ground pools are designed for swimming and wading only. Do not Dive or Jump! Misuse of your pool may result in crippling injury and/or other dangers to life and health. Do not use slides, diving boards, or any other platform or object which can be used for improper pool entry. Use only an above-ground swimming pool ladder or entry system to enter or exit your pool. Never attempt to swim or reach behind ladders or any other pool entry system. It is the pool owner's responsibility to secure the pool against unauthorized, unsupervised or unintentional entry. It is also the pool owner's responsibility to warn all pool users of the hazards of diving into shallow water: paralyzing injury may result. Always obey all safety rules. Remember, pool safety is everybody's responsibility.

Safety decals and caution information provided with your pool have been endorsed by the U.S. Consumer Product Safety Commission. It is mandatory that the pool owner and installer follow the installation and use directions for all provided safety signs and decals. Juveniles must be supervised at all times by a responsible adult as directed by the USCPSC.

Change of Design: The manufacturer (Hill) expressly reserves the right to change or modify the design and construction of any product in due course of their manufacturing procedures, without incurring any obligation to furnish or install such changes or modifications on products previously or subsequently sold.