



POOL BREAKDOWN



5-1/2" Series 18' x 12' OVAL 48" COMPAC SUPPORT STEEL TOP RAIL - STEEL VERTICAL

√	QTY	CARTON NUMBER	CARTON DESCRIPTION
	1	5-9982-610	ASSEMBLY PACK CARTON
	1	5-9712-505	VERTICAL PACK CARTON
	1	5-9801-610	TOP RAIL PACK CARTON
	1	5-9844-610	TOP RAIL PACK CARTON
	1	5-9999-614	TOP CONNECTOR CARTON
	1	5-XXXX-082	SIDEWALL CARTON
	1	5-8888-204	SUPPORT BASE CARTON
	1	5-8848-400	SIDE SUPPORT CARTON



CARTON BREAKDOWN

✓	ITEM	QTY	PART NUMBER	DESCRIPTION
ASSEMBLY PACK # 5-9982-610				
	1	30	545-1001	Plastic coping
	2	10	580-2379	Vertical end cap
	3	8	583-1012	Stabilizer Rail (Small)
	4	10	583-1011	Stabilizer Rail (Large)
	5	8	589-1133	Bottom rail - stamped L-12
	6	2	589-1052	Bottom rail - stamped S
	5a	4	589-1304	Bottom rail - stamped A-12
	8	114	330-1127	Sheet metal screw, #10 x 1/2"
	9	10	580-1344	Bottom connector
	15	4	580-1949	Side vertical end cap
	—	1	573-4782	Pool Parts List
	—	1	573-3839	Installation Instructions
	—	1	---	Warranty Card
	—	1	573-3169	"Safety First" Booklet

VERTICAL PACK # 5-9712-505

	16	10	580-1945	Vertical
--	----	----	----------	----------

TOP RAIL PACK # 5-9801-610

	14	10	587-1350	Top rail
--	----	----	----------	----------

TOP RAIL PACK # 5-9844-610

	14b	4	587-1721	Top rail
--	-----	---	----------	----------

TOP CONNECTOR PACK # 5-9999-614

	7	14	340-2139	Top connector
--	---	----	----------	---------------

SIDEWALL CARTON

	17	1	5-XXXX-082	Sidewall
	18	1	535-1442	Protective strip
	19	26	321-1029	1/4-20 Hex Flange Locknut
	20	26	330-1280	1/4-20 x 1/2" Grade 5 Bolt
	—	1	560-1055	Warning Sign
	—	1	573-3169	"Safety First" Booklet
	—	1	573-3498	Safety DVD

WRITE SIDEWALL NUMBER HERE _____

WRITE SIDEWALL BOX SERIAL NUMBER HERE _____

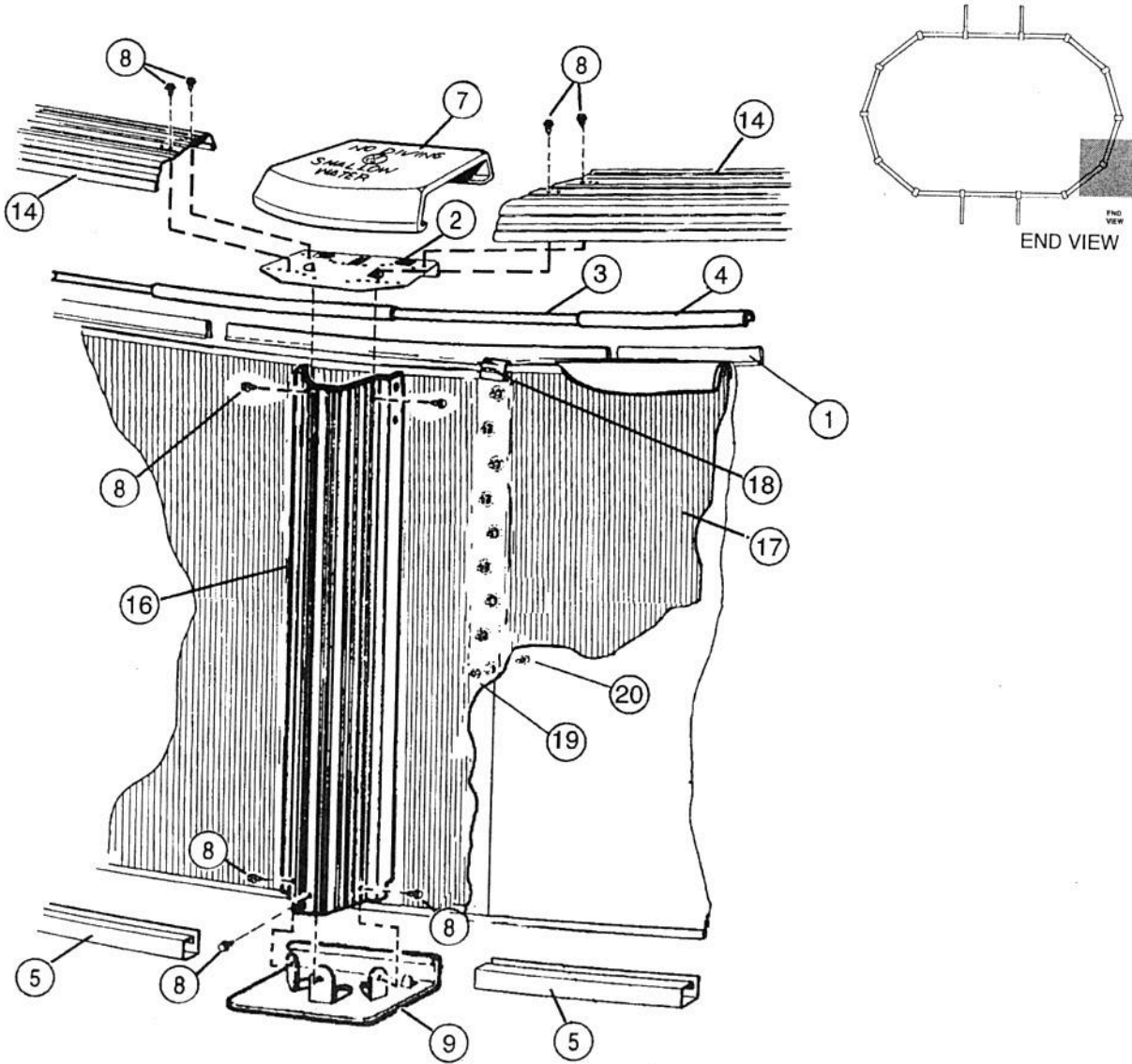
SUPPORT BASE PACK # 5-8888-204

24	4	580-1779	Skid support
25	4	580-2071	Ground support - top
26	4	580-2072	Ground support - bottom
27	4	580-1869	Pressure pad
28	4	580-1870	Pressure pad
29	4	580-1792	Btm rail locator & cover
30	24	510-1035	#12x3/4" hex washer head screw
31	16	330-1220	3/8"-16 x 3-1/2" hex head bolt
32	16	321-1069	3/8-16 hex nut
33	16	510-1018	1/4-20 x 1/2" hex head bolt - grade 5
34	16	511-1000	1/4-20 hex nut
35	24	330-1127	Sheet metal screw, #10 x 1/2"

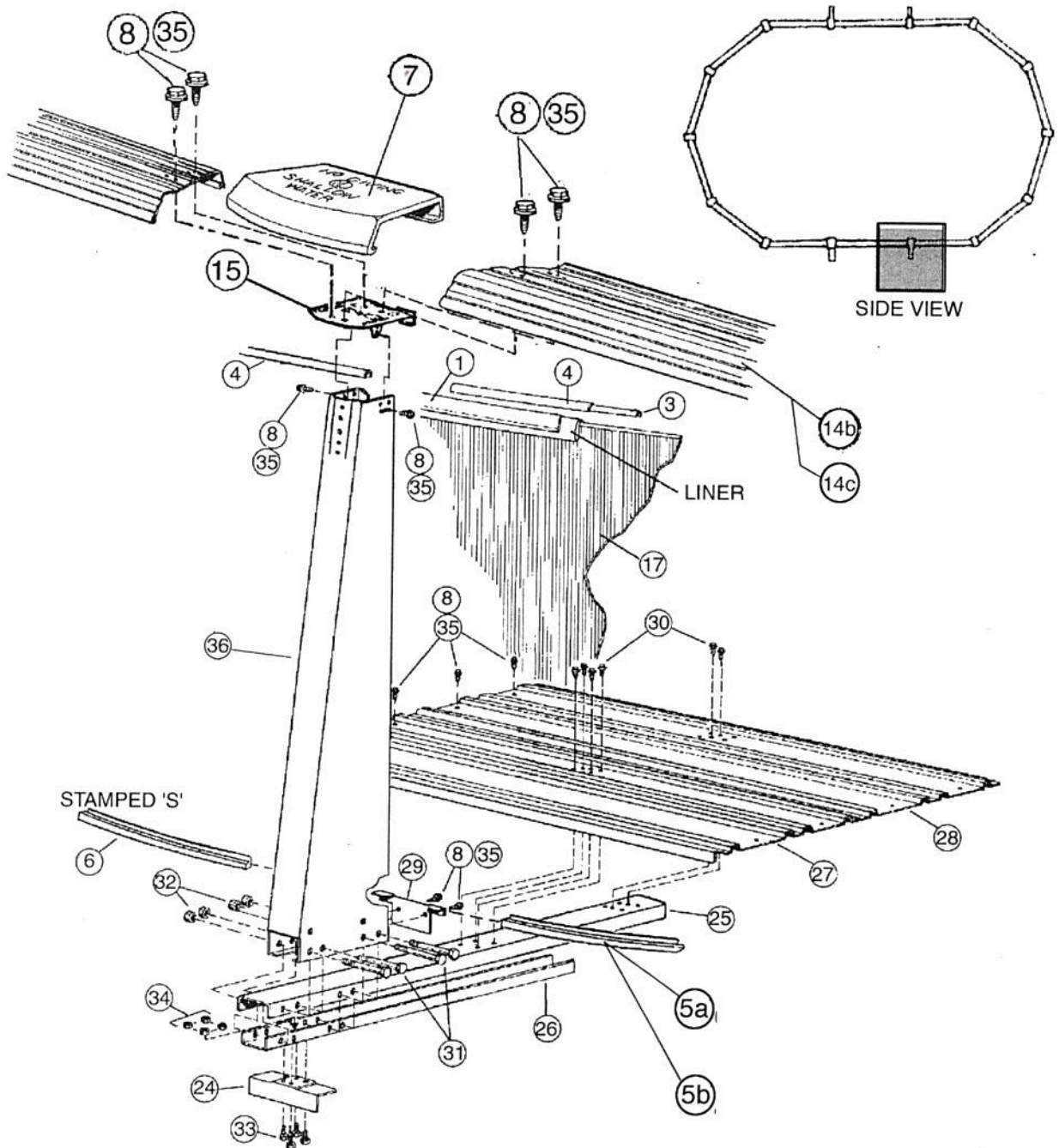
SIDE SUPPORT PACK # 5-8848-400

36	4	580-2138	Side support
----	---	----------	--------------

EXPLODED PARTS VIEW



EXPLODED PARTS VIEW



Important! Above-ground pools are designed for swimming and wading only. Do not Dive or Jump! Misuse of your pool may result in crippling injury and/or other dangers to life and health. Do not use slides, diving boards, or any other platform or object which can be used for improper pool entry. Use only an above-ground swimming pool ladder or entry system to enter or exit your pool. Never attempt to swim or reach behind ladders or any other pool entry system. It is the pool owner's responsibility to secure the pool against unauthorized, unsupervised or unintentional entry. It is also the pool owner's responsibility to warn all pool users of the hazards of diving into shallow water: paralyzing injury may result. Always obey all safety rules. Remember, pool safety is everybody's responsibility.

Safety decals and caution information provided with your pool have been endorsed by the U.S. Consumer Product Safety Commission. It is mandatory that the pool owner and installer follow the installation and use directions for all provided safety signs and decals. Juveniles must be supervised at all times by a responsible adult as directed by the USCPSC.

Change of Design: The manufacturer (HII) expressly reserves the right to change or modify the design and construction of any product in due course of their manufacturing procedures, without incurring any obligation to furnish or install such changes or modifications on products previously or subsequently sold.

H.I.I. • 315 North Sebastian Street • West Helena, AR 72390